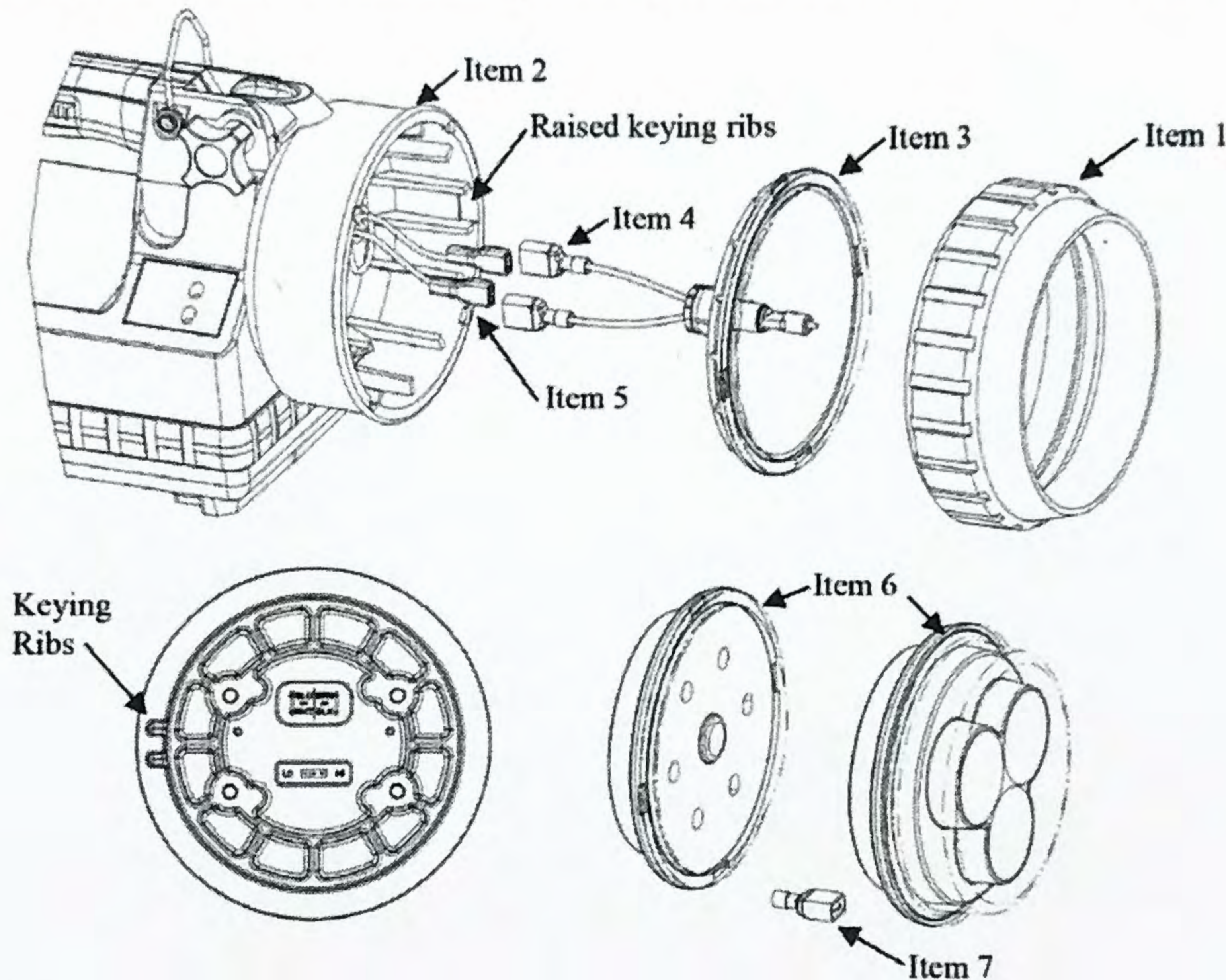


E-FLOOD/E-SPOT UPGRADE KIT - INSTALLATION INSTRUCTION

IMPORTANT: Light must be turned off when following this procedure.

REMOVAL

1. Remove Lamp Ring (Item 1) from Lantern Swivel Head (Item 2).
2. Separate Lamp Assembly (Item 3) from Lantern Swivel Head (Item 2).
3. Disconnect Lamp Assembly terminals (Item 4) from Lantern Swivel Head wires (Item 5).



INSTALLATION

4. Connect Lantern Swivel Head wires (Item 5) to Upgrade Assembly (Item 6) terminals following the wire color code as labeled on the PCB. Verify Upgrade Assembly operation using the main power switch.

IMPORTANT-Dual Filament System Upgrade (Lantern with three (3) wires) - The Green wire should be connected to the PCB terminal labeled Blue or white. The Black and White wires need to have their slip-on connectors cut off and both wires stripped and spliced together using the larger slip-on connector (Item 7) and connected to the PCB terminal labeled Brown or Black.

5. Install the Upgrade Assembly (Item 6) into Lantern Swivel Head (Item 2). Ensure keying ribs on back of heatsink align with the raised ribs of the head.
6. Install Lamp Ring (Item 1) to secure Upgrade Assembly (Item 6) in Lantern Swivel Head (Item 2).

P/N 997631 Rev C, 04/19